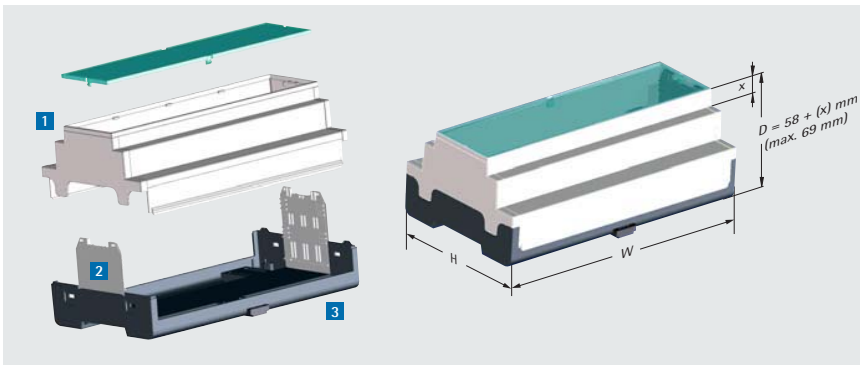


apra Rail DB

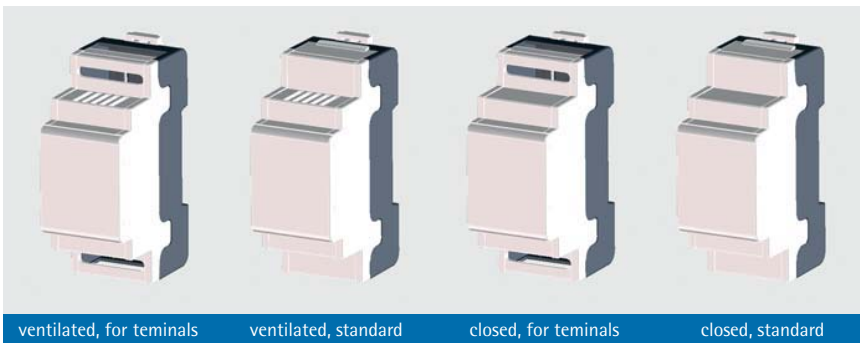
- sturdy electronic enclosure as per DIN EN 43880 (modular case) consisting of top and bottom shell, PCB fixing and mounting clips for top hat rail or wall mounting
- depth of enclosure can be increased by maximum 11 mm in sector x (see drawing)
- snap-in front panel available
- safe hold of horizontally or vertically mounted PCB due to separate fixings which may be used in various positions
- possibility to screw PCB to domes on bottom part
- detailed information can be found at www.apra-norm.com

Dimension W x H x D:

- DB 2 modules: 36 x 90 x 58 mm (max. 69 mm)
- DB 3 modules: 53,5 x 90 x 58 mm (max. 69 mm)
- DB 4 modules: 72 x 90 x 58 mm (max. 69 mm)
- DB 6 modules: 107 x 90 x 58 mm (max. 69 mm)
- DB 9 modules: 160,6 x 90 x 58 mm (max. 69 mm)



Types CLOSED (using the example of DB case 2 modules)



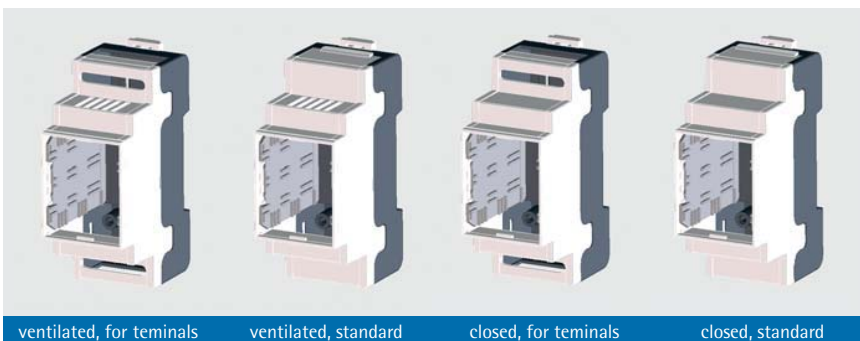
Material:

Polycarbonate UL 94 V-0

Finish:

Top shell: RAL 7035 light grey
Bottom shell: RAL 7016 anthracite grey

Types OPEN FOR FRONT PANEL (using the example of DB case 2 modules)



Special depths, colours or customisation on request! Further sizes will follow.

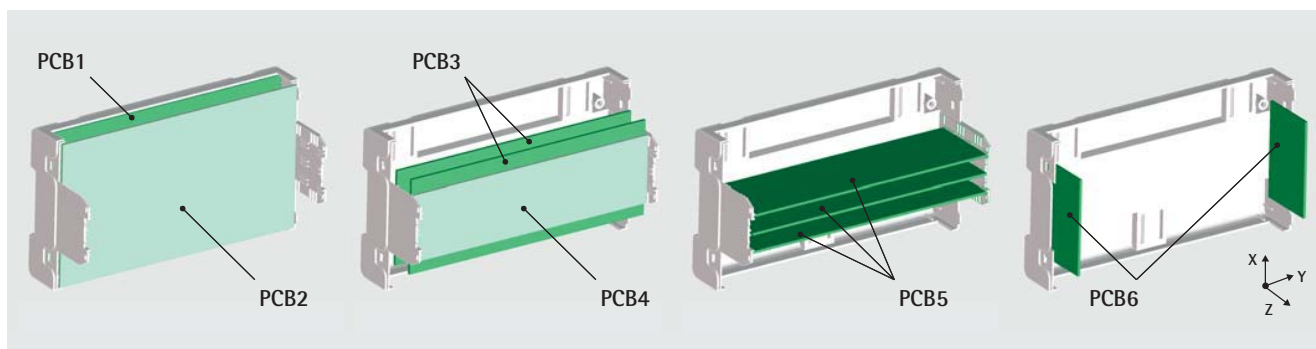
Delivery

Item	Pc.	Description
1	1	apra Rail DB, consisting of top and bottom shell
2	2	PCB fixing
3	2/3	mounting clips

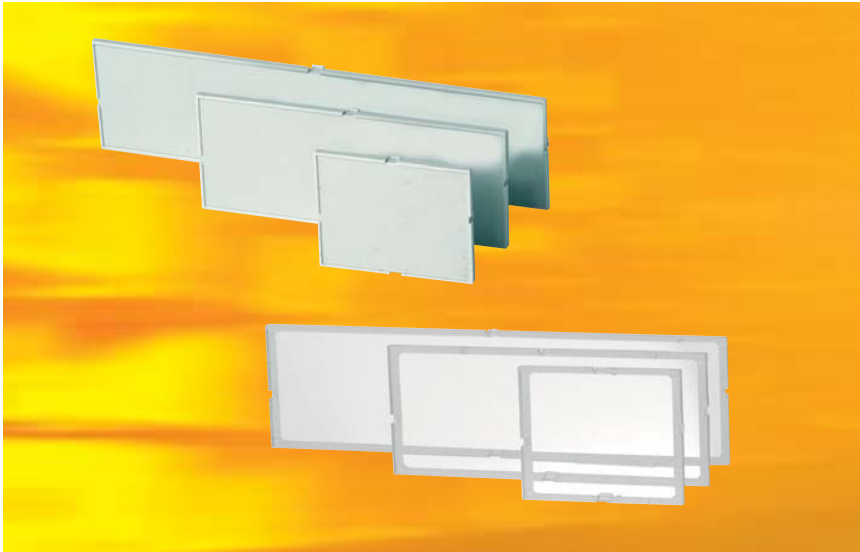


No. of modules	closed, ventilated for terminals	closed, ventilated standard	closed, not ventilated for terminals	closed, not ventilated standard	open for front panel, ventilated for terminals	open for front panel, ventilated standard	open for front panel, not ventilated for terminals	open for front panel, not ventilated standard
2 modules	449-320-55	449-320-50	449-320-45	449-320-40	449-320-65	449-320-60	449-320-35	449-320-30
3 modules	449-330-55	449-330-50	449-330-45	449-330-40	449-330-65	449-330-60	449-330-15	449-330-10
4 modules	449-340-55	449-340-50	449-340-45	449-340-40	449-340-65	449-340-60	449-340-15	449-340-10
6 modules	449-360-55	449-360-50	449-360-45	449-360-40	449-360-65	449-360-60	449-360-05	449-360-00
9 modules	449-370-55	449-370-50	449-370-45	449-370-40	449-370-65	449-370-60	449-370-05	449-370-00

apra Rail DB PCB dimensions and installation positions



Enclosure	PCB	X	Y	Z
2 modules	PCB1	86,0	31,0	-
	PCB2	85,6	30,4	-
	PCB3	56,6	30,4	-
	PCB4	40,6	30,4	-
	PCB5	-	30,4	43,0
	PCB6	58,2	-	34,3
3 modules	PCB1	86,0	48,5	-
	PCB2	85,6	47,9	-
	PCB3	56,6	47,9	-
	PCB4	40,6	47,9	-
	PCB5	-	47,9	43,0
	PCB6	58,2	-	34,3
4 modules	PCB1	86,0	67,0	-
	PCB2	85,6	66,4	-
	PCB3	56,6	66,4	-
	PCB4	40,6	66,4	-
	PCB5	-	66,4	43,0
	PCB6	58,2	-	34,3
6 modules	PCB1	86,0	102,0	-
	PCB2	85,6	101,4	-
	PCB3	56,6	101,4	-
	PCB4	40,6	101,4	-
	PCB5	-	101,4	43,0
	PCB6	58,2	-	34,3
9 modules	PCB1	86,0	155,6	-
	PCB2	85,6	155,0	-
	PCB3	56,6	155,0	-
	PCB4	40,6	155,0	-
	PCB5	-	155,0	43,0
	PCB6	58,2	-	34,3



apra Rail DB front panel

- snap-in front panel for apra Rail DB series
- secure fastening due to sturdy clips

Front panel dimensions W x H x D:
 for DB 2 modules: 34 x 41,6 x 2,5 mm
 for DB 3 modules: 51,4 x 41,6 x 2,5 mm
 for DB 4 modules: 69,8 x 41,6 x 2,5 mm
 for DB 6 modules: 104,7 x 41,6 x 2,5 mm
 for DB 9 modules: 158,5 x 41,6 x 2,5 mm

Material:
 Polycarbonate UL 94 V-0

Special colours and individual machining available on request!

Description	2 modules	3 modules	4 modules	6 modules	9 modules
light grey RAL 7035	449-320-01	449-330-01	449-340-01	449-360-11	449-370-11
transparent	449-320-02	449-330-02	449-340-02	449-360-12	449-370-12

Individual adaptation? No problem!

The enclosures of the apraRail DB series may be easily adapted to your requirements such as cutouts for terminals, ventilation slots or displays. Almost infinite possibilities!

- mechanical treatment
- modification of tools
- printing and front foils

We will be pleased to assist you with the configuration of your perfect apraRail DB enclosure - just ask us!



Configuration examples



apra Rail MB

- single parts can be mounted without tools
- mounting on top-hat rail or on wall
- maximum 3 horizontally and 2/4 vertically PCBs

Material: polycarbonate UL 94 V-0

Degree of protection: IP 20

Accessories: see pages 39-40

Delivery

Item	Pc.	Description
1	1	Top part
2	1	Bottom part
3	2/3	Snap-in mounting clip